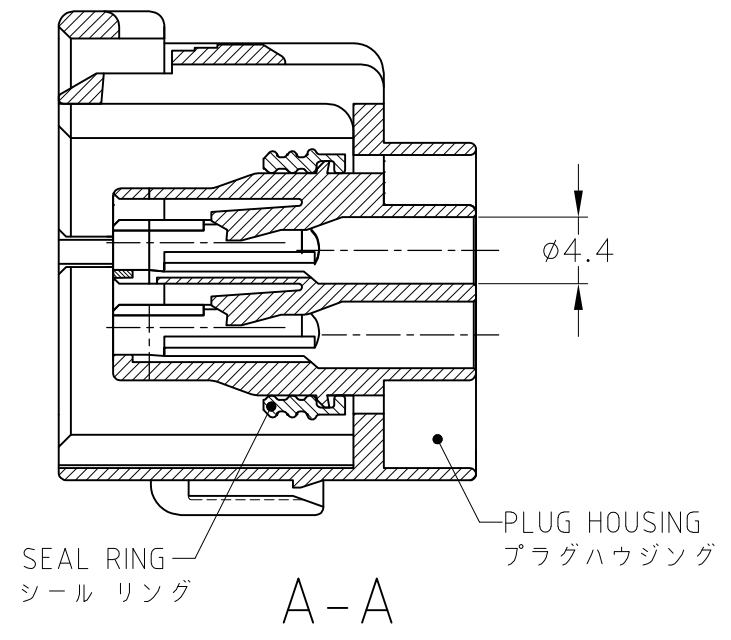
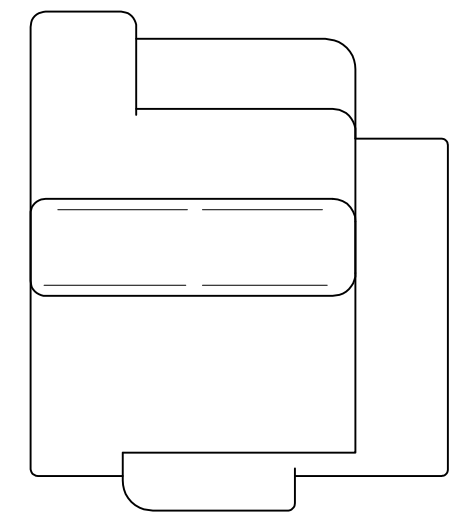
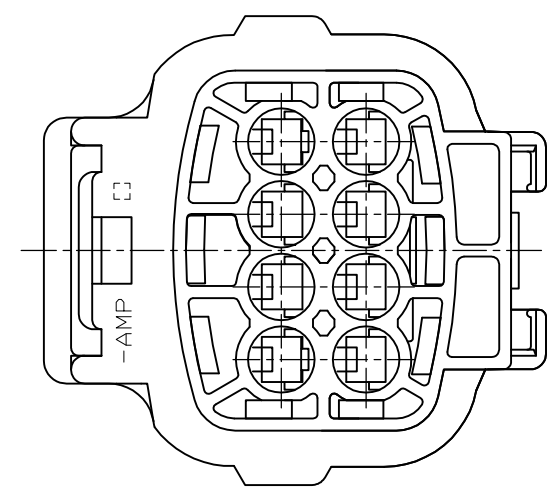
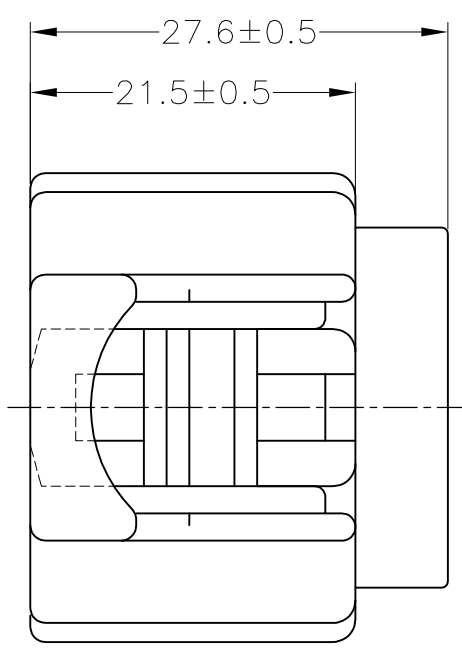
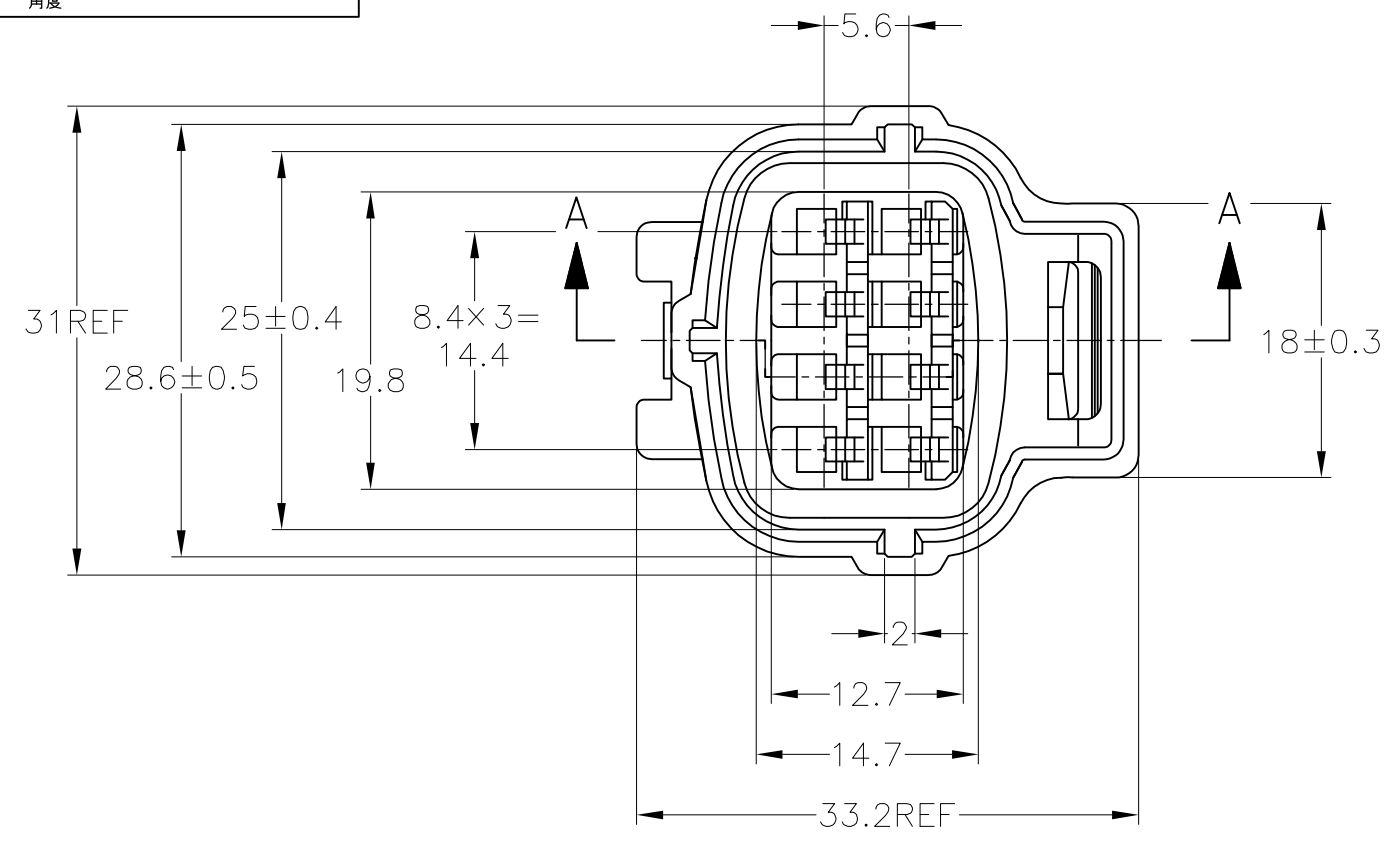


THIS DRAWING IS UNPUBLISHED. RELEASED FOR PUBLICATION
 © COPYRIGHT - By - ALL RIGHTS RESERVED.

LOC	DIST	REVISIONS 変更					
J	-	P	LTR	DESCRIPTION	DATE	DWN	APVD
		B2		REVISED PER ECO-11-005140	28MAR11	RK	HMR

TOLERANCE UNLESS OTHERWISE SPECIFIED:
 一般公差
 0 < x ≤ 10 : ±0.2
 10 < x ≤ 30 : ±0.25
 30 < x ≤ 100 : ±0.3
 ANGLE : ±3°
 角度



- 1. 嵌合相手型番 : 174984
 - 2. 本品はプラグハウジング単体にシールリングがアッセンブリされたものである。
 - 3. 本品はダブルロックプレート型番 174983を装着して使用する。
- 1. FOR CAP HOUSING PN 174984
 - 2. THIS PART IS COMPOSED OF PLUG HOUSING AND SEAL RING
 - 3. THIS PART MUST BE USED WITH DOUBLE LOCK PLATE PN 174983

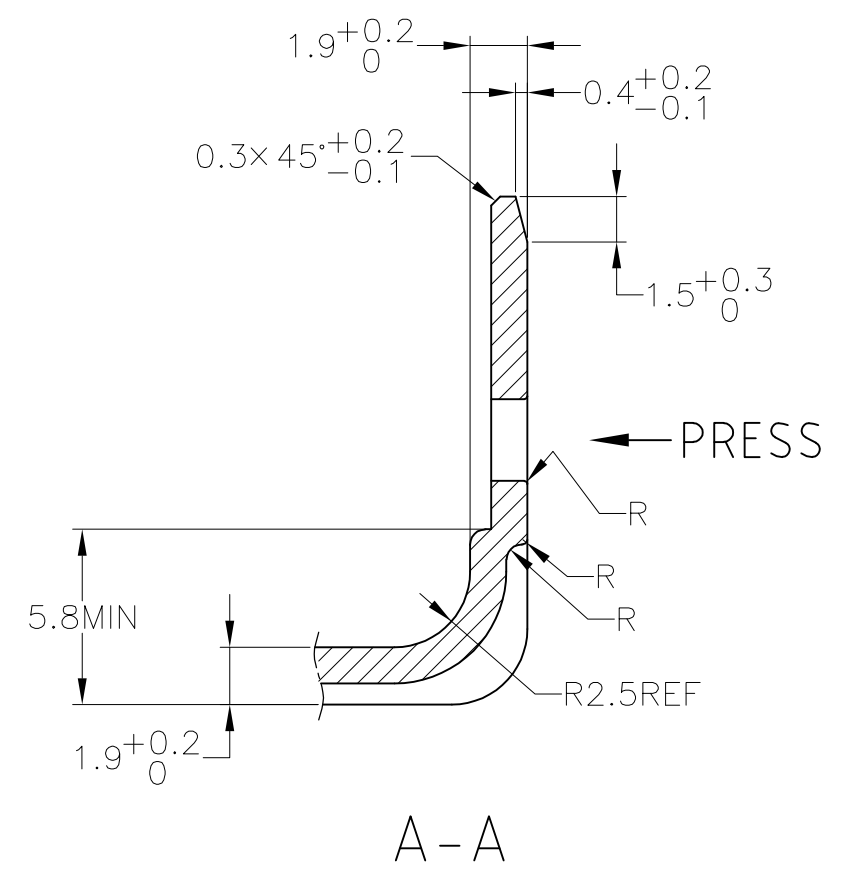
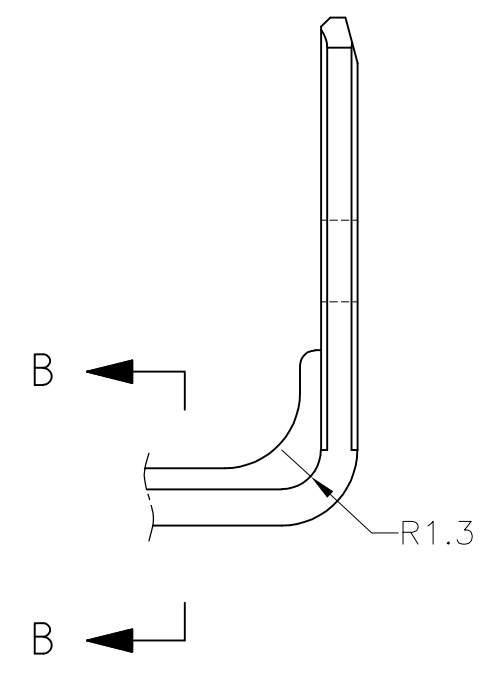
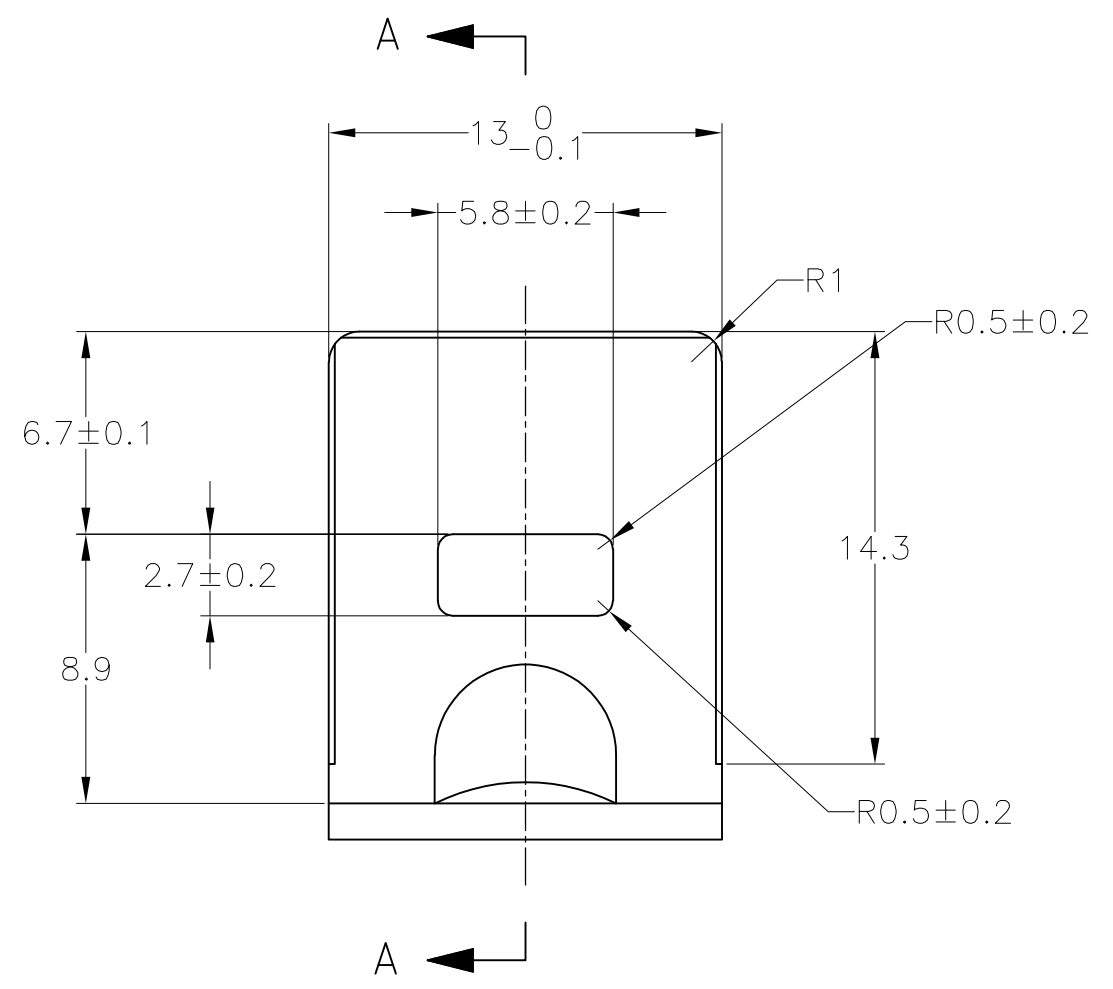
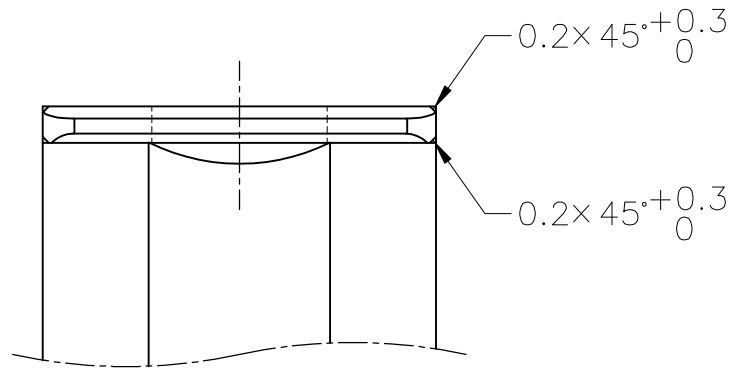
黒 BLACK	174982-2
色 COLOR	型番 PN

THIS DRAWING IS A CONTROLLED DOCUMENT.		DWN T.SHINOHARA 09FEB04	TE Connectivity		
DIMENSIONS: 単位: 耗 mm		CHK K.BETSUI 09FEB04			
TOLERANCES UNLESS OTHERWISE SPECIFIED: 一般公差		APVD K.BETSUI 09FEB04	NAME 名称 8Pos. ECONOSEAL J-MARKII+ CONNECTOR PLUG HOUSING		
0 PLC ± -		PRODUCT SPEC 製品規格 108-5262	SIZE A3		
1 PLC ± -		APPLICATION SPEC 取付適用規格 114-5082	CAGE CODE 00779	DRAWING NO 番号 C-174982	RESTRICTED TO -
2 PLC ± -		MATERIAL 材料 PBT	WEIGHT 11g	SCALE 尺度 2:1	SHEET 1 OF 2
3 PLC ± -		FINISH 仕上	CUSTOMER DRAWING		
4 PLC ± -			REV B2		
ANGLES ± -					

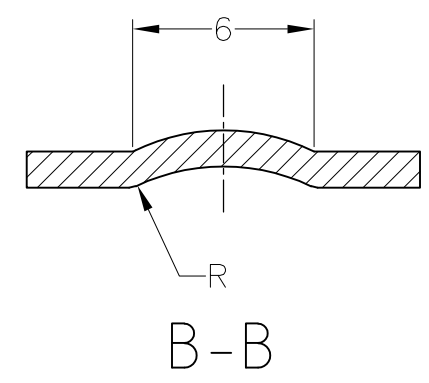
THIS DRAWING IS UNPUBLISHED. RELEASED FOR PUBLICATION
 © COPYRIGHT - By - ALL RIGHTS RESERVED.

LOC	DIST	REVISIONS					
J	-	P	LTR	DESCRIPTION	DATE	DWN	APVD
		-		SEE SHEET 1	-	-	-

ブラケット推奨寸法図
 RECOMMENDED DIMENSION OF BRACKET



t = 1.2 ± 0.08



TOLERANCE UNLESS OTHERWISE SPECIFIED: 一般公差

0 < x ≤ 10	: ±0.2
10 < x ≤ 30	: ±0.25
30 < x ≤ 100	: ±0.3
ANGLE ; 角度	: ±3°

THIS DRAWING IS A CONTROLLED DOCUMENT.		DWN T.SHINOHARA 09FEB04	TE Connectivity													
DIMENSIONS: 単位: 耗 mm		CHK K.BETSUI 09FEB04														
TOLERANCES UNLESS OTHERWISE SPECIFIED: 一般公差		APVD K.BETSUI 09FEB04	NAME 名称 8Pos. ECONOSEAL J-MARKII+ CONNECTOR PLUG HOUSING													
<table border="1"> <tr> <td>0 PLC</td> <td>± -</td> </tr> <tr> <td>1 PLC</td> <td>± -</td> </tr> <tr> <td>2 PLC</td> <td>± -</td> </tr> <tr> <td>3 PLC</td> <td>± -</td> </tr> <tr> <td>4 PLC</td> <td>± -</td> </tr> <tr> <td>ANGLES</td> <td>± -</td> </tr> </table>		0 PLC	± -	1 PLC	± -	2 PLC	± -	3 PLC	± -	4 PLC	± -	ANGLES	± -	PRODUCT SPEC 製品規格	SIZE A3	
0 PLC	± -															
1 PLC	± -															
2 PLC	± -															
3 PLC	± -															
4 PLC	± -															
ANGLES	± -															
MATERIAL 材料		APPLICATION SPEC 取付適用規格	CAGE CODE 00779	DRAWING NO 番号 C-174982												
FINISH 仕上		WEIGHT	RESTRICTED TO -													
CUSTOMER DRAWING			SCALE 尺度 4:1	SHEET 2 OF 2												
			REV B2													